



- 2U high
- Up to 22.5 kW in 19" rack
- Hotswap capable
- High Efficiency

TX Series

3750W to 7500W
Front End Power Supplies

Key Market Segments & Applications

Power for Distributed Power Architecture
Factory Automation

TX Features and Benefits

Features

- 2U high
- Hotswap capable
- High efficiency

Benefits

- Utilises less cabinet space
- Suitable for N+1 redundancy
- Higher density

Specifications

ITEMS	MODEL	TX375024		TX500048	TX7500W48
		24V Nominal		48V Nominal	
Output Voltage Range (1)	VDC	21-28		42-56	
Total Regulation	%	±1%			
Output Current	A(max)	150		100	150
Current limit (1)	A	155		110	155
Short Circuit Current	rms A	50		35	50
Output Noise	mV	250 peak to peak (10kHz to 20MHz)			
Output Rise Time	ms	100 - 400			
Dynamic Response	%	3% in 10ms for a 10-100% load change			
Overvoltage Protection (1)	VDC	27-30		54-60	
Load Sharing	%	±5% of full load			
i ² C Programming	-	Set output Volt, Monitors AC present, Converter OK, Thermal Profile, Fan fail			
Remote On/Off	V	Shuts down outputs by applying 3.3 to 5V			
Auxiliary Output		12V@200mA			
AC Input	VAC	180-264		180-305	
Input Frequency	Hz	47-63			
Power Factor	-	0.99 typ. @ 230VAC, full load, meets EN61000-3-2			
Inrush Current (2)	A	30 amps peak			
Efficiency (at 230VAC)	%	90		92	92
Immunity	-	EN61000-4-2,-3,-4,-5,-6,-8,-11			
EMC (conducted and radiated)	-	EN55022, Level B, FCC Class B			
Operating Temperature	°C	-40 to 65 (full power)		-40 to 65 ⁽³⁾	
Storage Temperature	°C	-40 to 85			
Humidity	%	5 to 95 (non-condensing)			
Altitude	ft	-200 to 8000			
Shock	G	IEC68-2-27, Mil-STD-810E, 20G			
Vibration	Hz	IEC68-2-64 (random) 20-2000Hz, 30 minutes			
Safety Agency	-	UL60950-1, EN60950-1, CE Mark			
Size (L x W x H)	mm	405 x 132 x 82 (stand alone), 534 x 410 x 89 (THR3 Rack)			
Weight	Kg	Stand alone unit 6.75kg, Rack 5.4kg			
Warranty	-	2 Years			

1 Adjustable via i²C

2 Excludes Xcaps in the EMC input filter

3 TX7500W48 derate 2%/°C above 50°C to 65°C

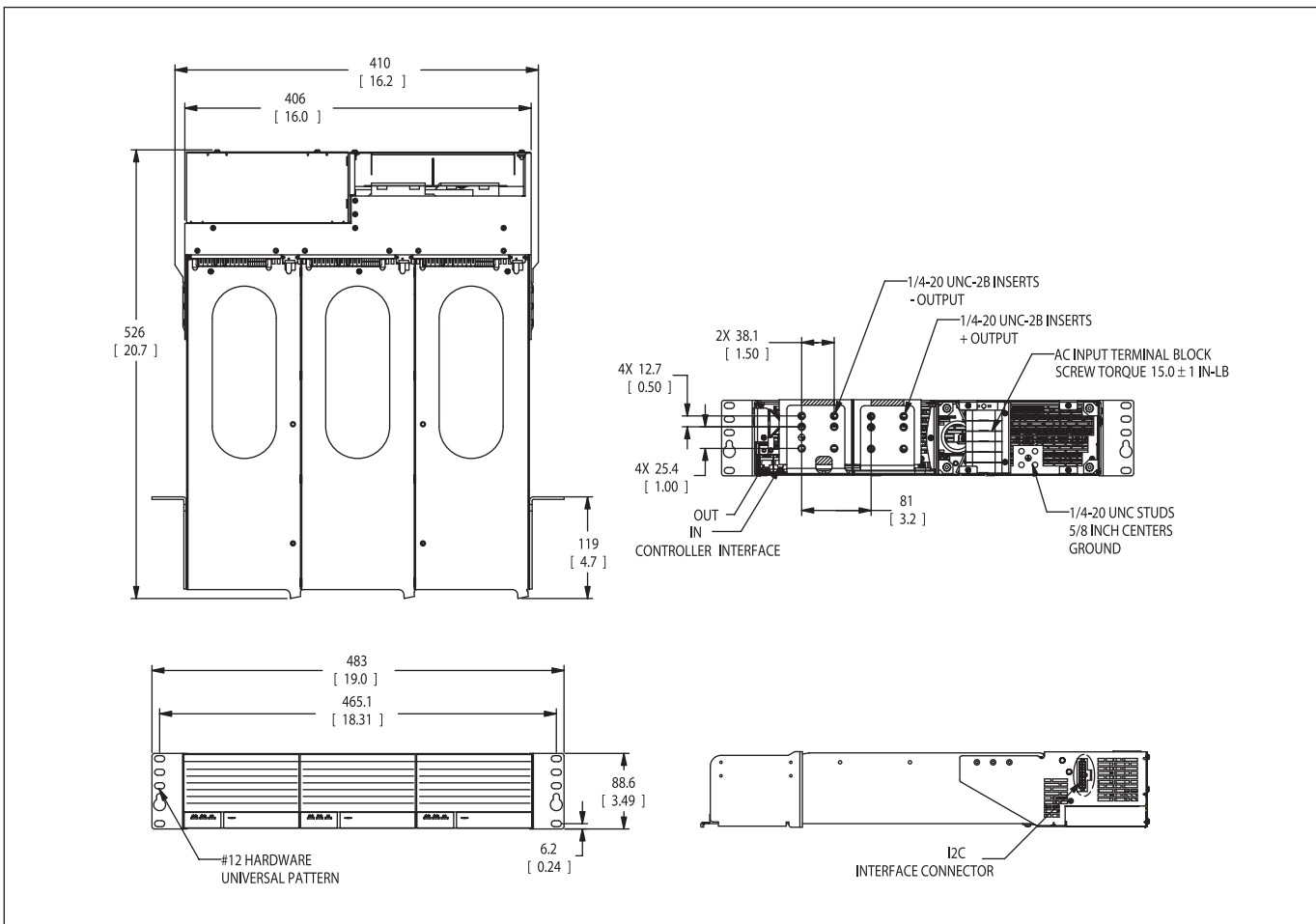
4 Operates independent of main DC output and is referenced to (-)Vout



Model Selector

Model	Output Voltage	Output Current	Maximum Power
TX375024	24V	150A	3600W
TX500048	48V	100A	4800W
TX7500W48	48V	150A	7200W
TXR3	19" Rack holds up to 3 TX Modules (Individual AC Feed)		
TXR3025	19" Rack with 3 Phase DELTA Input (not for use with TX 500W48)		
TXR3026	19" Rack with 3 Phase WYE Input		
TXRBP	Blanking panel for one module slot		

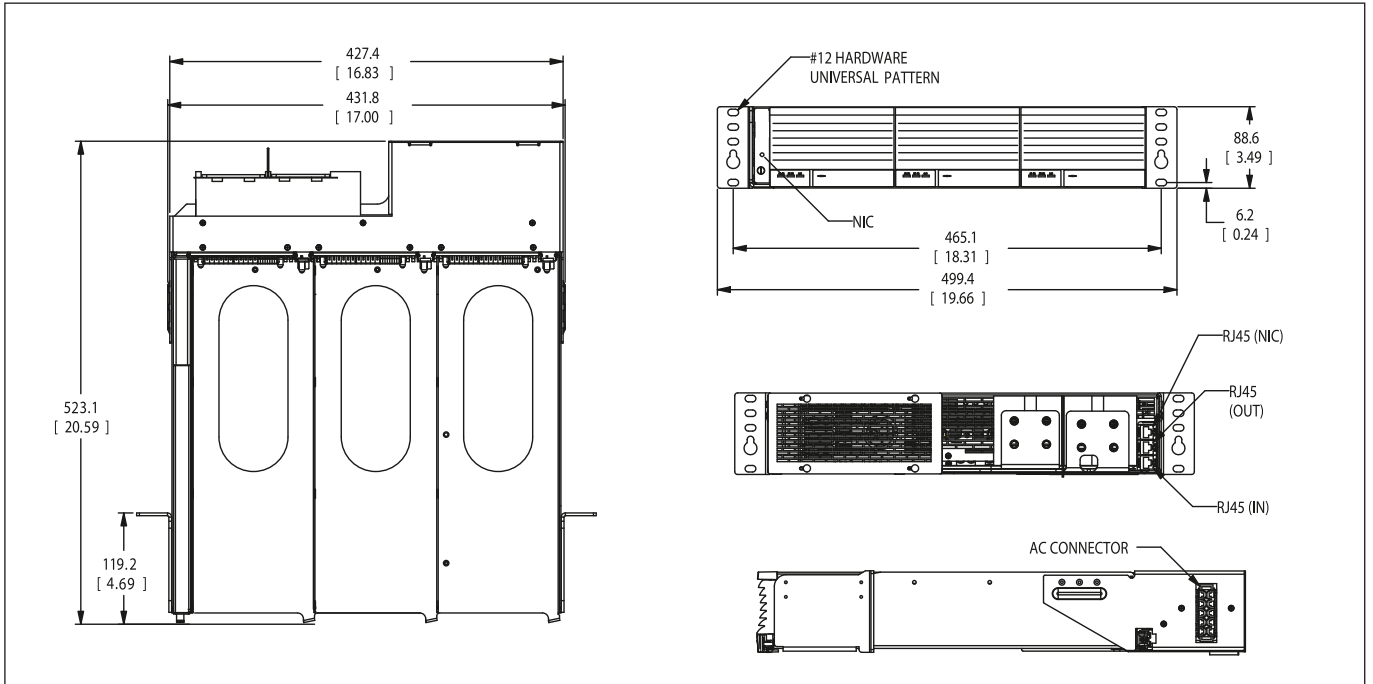
Outline Drawing TX



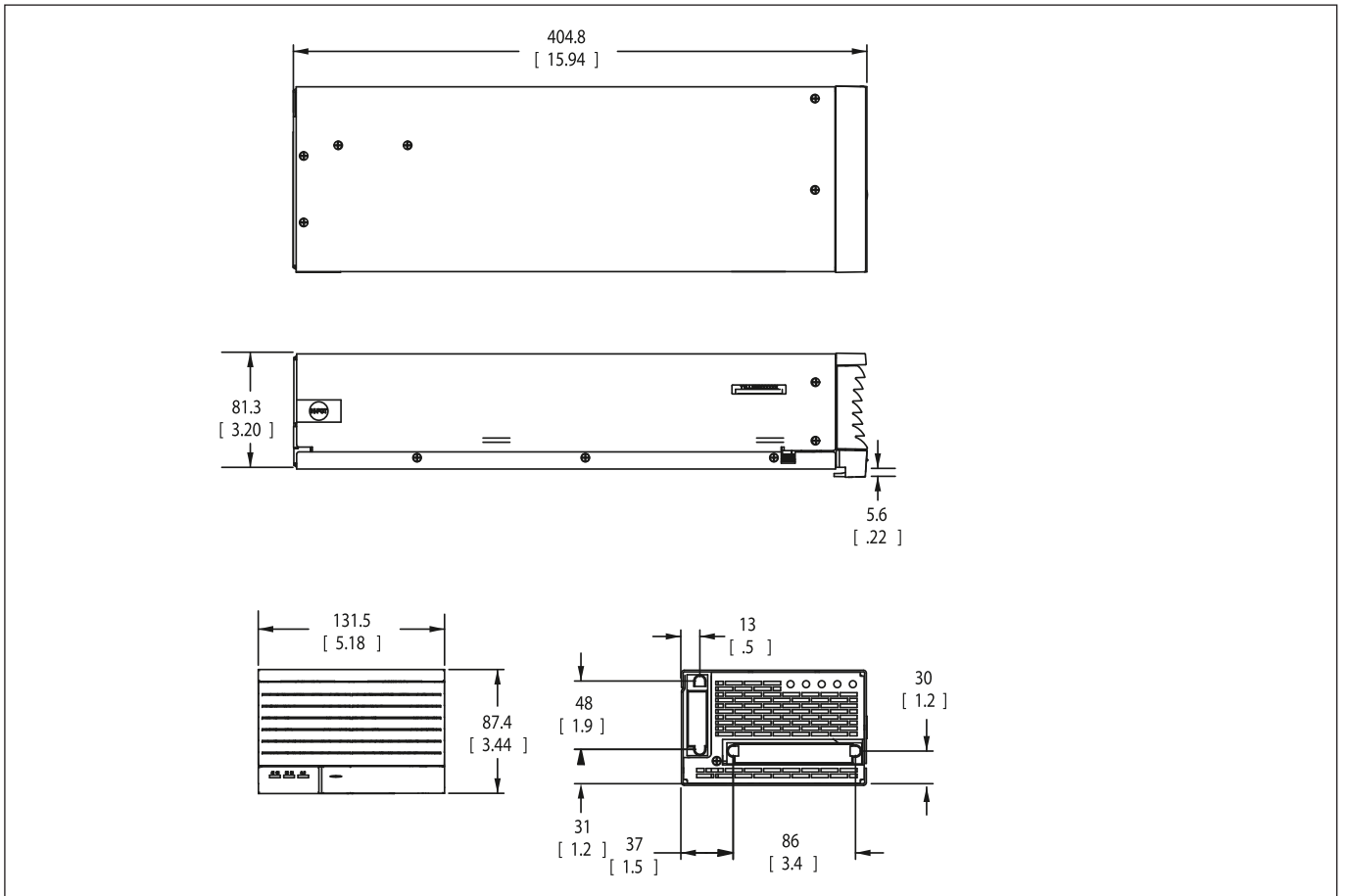
For full data and drawings please visit www.emea.tdk-lambda.com/www/tx



Outline Drawing TX Rack



Outline Drawing TX Module





TDK-LAMBDA EMEA

www.emea-tdk-lambda.com



TDK-Lambda France SAS

ZAC des Delaches
BP 1077-Gometz-le-Chatel
91940 Les Ulis
France
Tel: +33 1 60 12 71 65
Fax: +33 1 60 12 71 66
france@fr.tdk-lambda.com
www.fr.tdk-lambda.com



TDK-Lambda Italy

Via dei Lavoratori 128/130
20092 Cinisello Balsamo (MI)
Italy
Tel: +39 02 61 29 38 63
Fax: +39 02 61 29 09 00
info.italia@it.tdk-lambda.com
www.it.tdk-lambda.com



TDK-Lambda Germany GmbH

Karl-Bold-Strasse 40
77855 Achern
Germany
Tel: +49 7841 666 0
Fax: +49 7841 5000
info.germany@de.tdk-lambda.com
www.de.tdk-lambda.com



TDK-Lambda UK Ltd.

Kingsley Avenue
Ilfracombe
Devon EX34 8ES
United Kingdom
Tel: +44 (0) 12 71 85 66 66
Fax: +44 (0) 12 71 86 48 94
powersolutions@uk.tdk-lambda.com
www.uk.tdk-lambda.com



Austria Sales Office

Aredstrasse 22
2544 Leobersdorf
Austria
Tel: +43 2256 655 84
Fax: +43 2256 645 12
info.germany@de.tdk-lambda.com
www.de.tdk-lambda.com



Nemic Lambda Ltd.

Kibbutz Givat
Hashlosa 48800
Israel
Tel: +9 723 902 4333
Fax: +9 723 902 4777
info@nemic.co.il
www.nemic.co.il

LOCAL DISTRIBUTION

